



ELKHART BRASS MFG. CO., INC.

1302 WEST BEARDSLEY AVENUE • P.O. BOX 1127 • ELKHART IN 46515 • (574) 295-8330 • FAX (574) 293-9914

PRODUCT BULLETIN

April 9, 2007

SUBJECT: Nozzle Tip Retention Screws

APPLICABILITY: 4000 Series Chief Nozzles and Select-O-Matic Nozzles

We have been made aware of an instance of a nozzle failure during a firefighting operation. While operating the nozzle, as the firefighter rotated the stream pattern adjustment collar (nozzle tip) toward the straight stream direction, the pattern adjustment collar, and the rubber handgrip or bumper (Items 5 & 17 in attached illustration), became separated from the nozzle. Subsequent investigation by the fire department revealed that two retainer screws (Item 11) had become either loose, dislodged or absent from the nozzle assembly. Inspections of similar type nozzles within the department identified other loose, dislodged or absent screws.

Failure Effect On Firefighter Safety: The separation of the pattern adjustment collar from the nozzle assembly will result in loss of spray pattern adjustment capability, and the nozzle will immediately go to a wide fog pattern. No loss of flow should occur. Normal fire control capability will be seriously diminished, but protection fog capability should remain. Nozzle reaction force will be minimized.

Actions Necessary to Prevent Occurrence: All nozzles should be inspected and maintained on a regular basis per the requirements of NFPA 1962, 2003 Edition. Use special attention to check for loose, dislodged or absent fasteners, including, but not limited to the subject retainer screws. Consult manufacturer's literature whenever any maintenance operations are performed, adhering to any requirements for the use of thread locking compounds on fasteners. We recommend that all fire departments consider using a thread locking compound on any retainer screws found to be loose, dislodged, or absent. Please review the amended operating and maintenance instructions for you products at www.elkhartbrass.com.

Firefighter safety is a fundamental concern for Elkhart Brass. If you have questions or require assistance in evaluating and repairing your hose nozzles please contact either:

Jim Trapp
Chief Engineer
Elkhart Brass Mfg. Co.
1302 W. Beardsley Ave.
Elkhart, IN 46514
574-295-8330 ext. 224
FAX 574-295-6839
jtrapp@elkhartbrass.com

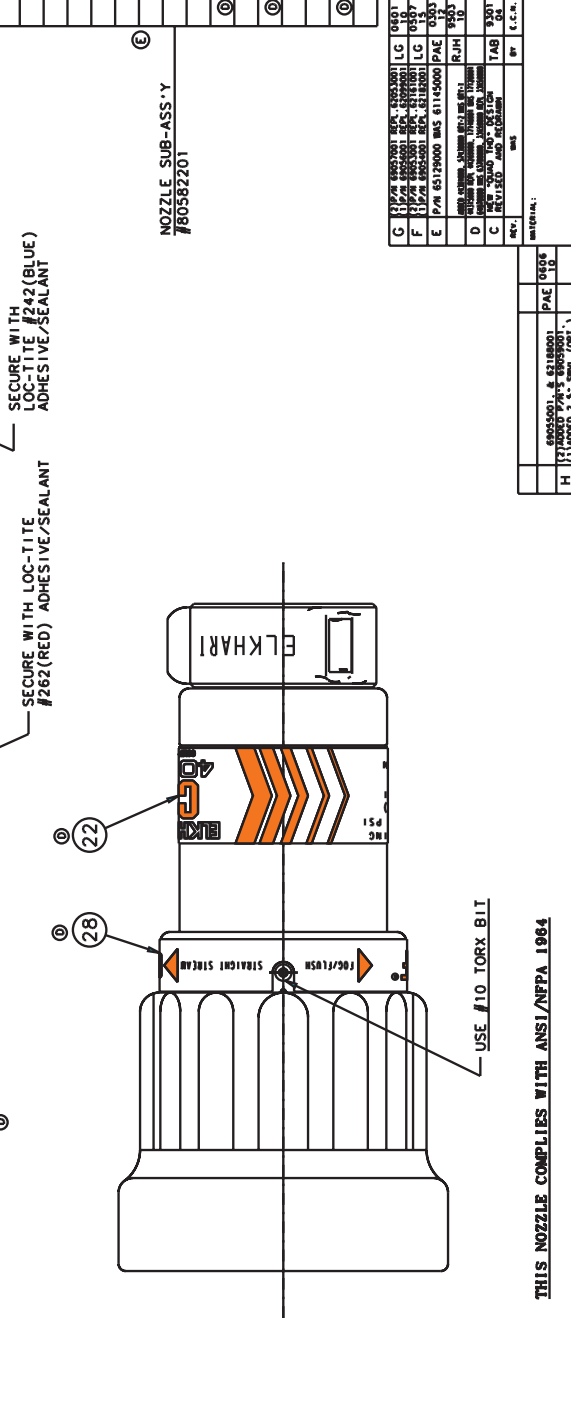
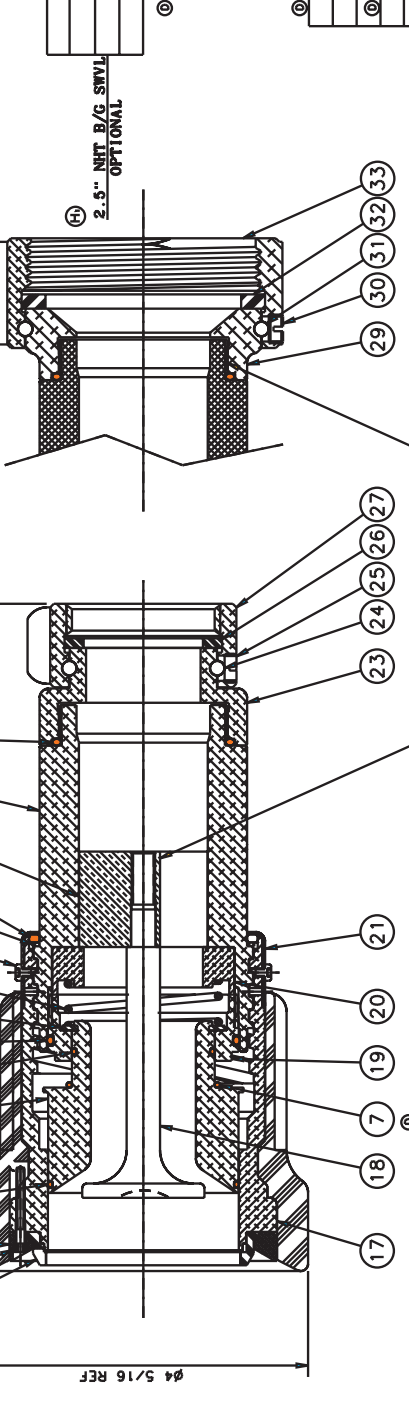
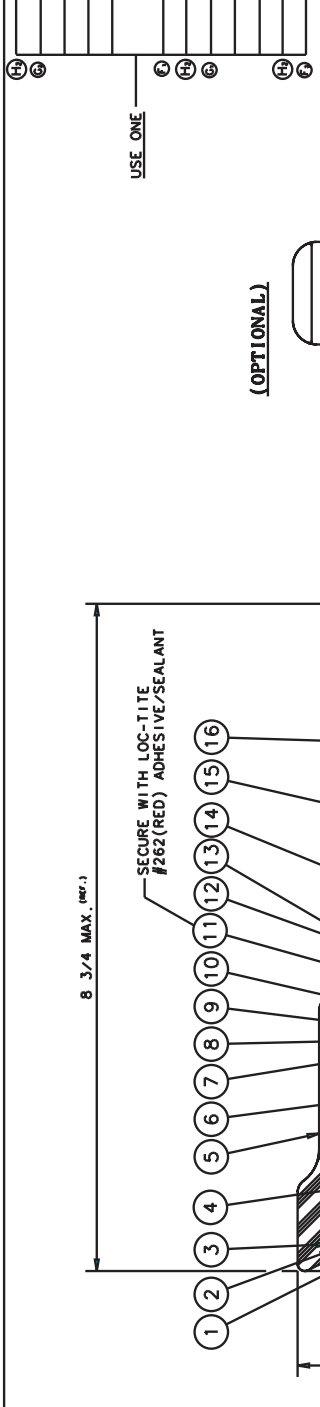
Tim Brumbaugh
Engineering Service
Elkhart Brass Mfg. Co.
1302 W. Beardsley Ave.
Elkhart, IN 46514
574-295-8330 ext. 270
FAX 574-295-6839
tbrumbaugh@elkhartbrass.com

4000-24 (REV-H)

PARENT NUMBER (04000241) 4000-24 (REV-H)

18 69059001	STEM - 350 GPM	1
18 69057001	STEM - 325 GPM	1
18 62052001	STEM - 250 GPM	1
18 62072001	STEM - 200 GPM	1
18 62054001	STEM - 175 GPM	1
STEMS RATED AT 100 PSIG		
18 69053001	STEM - 250 GPM • 50 PSIG	1
18 62188001	STEM - 200 GPM • 50 PSIG	1
18 69056001	STEM - 185 GPM • 75 PSIG	1
18 62095001	STEM - 200 GPM • 75 PSIG	1
18 62173001	STEM - 250 GPM • 75 PSIG	1
18 69055001	STEM - 275 GPM • 75 PSIG	1
18 69054001	STEM - 300 GPM • 75 PSIG	1

LOW PRESSURE STEMS		
33 63069001	SWIVEL-OVER 3-R/L (2.5" NHT)	1
32 33083000	RUBBER DISKET (NHT) 3.18" OD X 2.562" ID X .187" THK	1
31 15018000	BALLS - .187 DIA. S/S	52
30 63674000	SET SCREW .375" X .187" LG SULPHUR PLASTIC	1
29 10339001	ADAPTER-FINE THD X B/G	1
28 44301000	LABEL-PATTERN STREAM	1
27 63068001	SWIVEL-3-R/L 1.5" NHT	1
26 33074000	RUBBER DISKET (NHT) 2.062" OD X 1.562" ID X .187" THK	1
25 63674000	SET SCREW .375" X .187" LG SULPHUR PLASTIC	1
24 15018000	BALLS-0.187 DIA. S/S	32
23 10332001	ADAPTER-1.5 B/G	1
22 44315000	LABEL-IDENTIFICATION (4000-24)	1
21 61672004	INDICATOR SLEEVE	1
20 63597001	SPACER	1
19 17146001	BODY-NOZZLE TIP	1
17 66361001	NOZZLE TIP (QUAD THD)	1
16 57387000	O-RING 2.175 ID X .103 W	1
15 17129001	NOZZLE BODY (QUAD THD)	1
14 63404001	STEM BASE (WEB)	1
13 57375000	O-RING 2.609 ID X .139 W	1
12 71117001	REINFORCING WASHER	1
11 65129000	SCREW-MACH S/S #4-48 X.187-LG TORX	2
10 61786000	COIL SPRING	1
9 57689000	RETAINING RING #190-181	1
8 57383000	O-RING 2.300 ID X .103 W	1
7 57430000	O-RING 1.739 ID X .070 W	2
6 17475001	CENTER BARREL	1
5 33659000	GRIP-HAND (ORANGE)	1
4 57477000	O-RING 2.364 ID X .070 W	1
3 57631001	RETAINER RING (TEETH)	1
2 64070000	SOCKET HEAD CAP SCREW #4-40 X 1.000 LG SST	3
1 58875000	TEETH RING (SPINNING)	1



NO.	PART NO.	PART NAME	REQ.
1	58875000	TEETH RING (SPINNING)	1
2	64070000	SOCKET HEAD CAP SCREW #4-40 X 1.000 LG SST	3
3	57631001	RETAINER RING (TEETH)	1
4	57477000	O-RING 2.364 ID X .070 W	1
5	33659000	GRIP-HAND (ORANGE)	1
6	17475001	CENTER BARREL	1
7	57430000	O-RING 1.739 ID X .070 W	2
8	57383000	O-RING 2.300 ID X .103 W	1
9	57689000	RETAINING RING #190-181	1
10	61786000	COIL SPRING	1
11	65129000	SCREW-MACH S/S #4-48 X.187-LG TORX	2
12	71117001	REINFORCING WASHER	1
13	57375000	O-RING 2.609 ID X .139 W	1
14	63404001	STEM BASE (WEB)	1
15	17129001	NOZZLE BODY (QUAD THD)	1
16	57387000	O-RING 2.175 ID X .103 W	1
17	66361001	NOZZLE TIP (QUAD THD)	1
19	17146001	BODY-NOZZLE TIP	1
20	63597001	SPACER	1
21	61672004	INDICATOR SLEEVE	1
22	44315000	LABEL-IDENTIFICATION (4000-24)	1
23	10332001	ADAPTER-1.5 B/G	1
24	15018000	BALLS-0.187 DIA. S/S	32
25	63674000	SET SCREW .375" X .187" LG SULPHUR PLASTIC	1
26	33074000	RUBBER DISKET (NHT) 2.062" OD X 1.562" ID X .187" THK	1
27	63068001	SWIVEL-3-R/L 1.5" NHT	1
28	44301000	LABEL-PATTERN STREAM	1
29	10339001	ADAPTER-FINE THD X B/G	1
30	63674000	SET SCREW .375" X .187" LG SULPHUR PLASTIC	1
31	15018000	BALLS - .187 DIA. S/S	52
32	33083000	RUBBER DISKET (NHT) 3.18" OD X 2.562" ID X .187" THK	1
33	63069001	SWIVEL-OVER 3-R/L (2.5" NHT)	1

USE ONE

SECURE WITH LOC-TITE #242 (BLUE) ADHESIVE/SEALANT

NOZZLE SUB-ASS'Y #80582201

SECURE WITH LOC-TITE #262 (RED) ADHESIVE/SEALANT

USE #10 TORX BIT

THIS NOZZLE COMPLIES WITH ANSI/NFPA 1964

NO.	PART NO.	PART NAME	REQ.
1	58875000	TEETH RING (SPINNING)	1
2	64070000	SOCKET HEAD CAP SCREW #4-40 X 1.000 LG SST	3
3	57631001	RETAINER RING (TEETH)	1
4	57477000	O-RING 2.364 ID X .070 W	1
5	33659000	GRIP-HAND (ORANGE)	1
6	17475001	CENTER BARREL	1
7	57430000	O-RING 1.739 ID X .070 W	2
8	57383000	O-RING 2.300 ID X .103 W	1
9	57689000	RETAINING RING #190-181	1
10	61786000	COIL SPRING	1
11	65129000	SCREW-MACH S/S #4-48 X.187-LG TORX	2
12	71117001	REINFORCING WASHER	1
13	57375000	O-RING 2.609 ID X .139 W	1
14	63404001	STEM BASE (WEB)	1
15	17129001	NOZZLE BODY (QUAD THD)	1
16	57387000	O-RING 2.175 ID X .103 W	1
17	66361001	NOZZLE TIP (QUAD THD)	1
19	17146001	BODY-NOZZLE TIP	1
20	63597001	SPACER	1
21	61672004	INDICATOR SLEEVE	1
22	44315000	LABEL-IDENTIFICATION (4000-24)	1
23	10332001	ADAPTER-1.5 B/G	1
24	15018000	BALLS-0.187 DIA. S/S	32
25	63674000	SET SCREW .375" X .187" LG SULPHUR PLASTIC	1
26	33074000	RUBBER DISKET (NHT) 2.062" OD X 1.562" ID X .187" THK	1
27	63068001	SWIVEL-3-R/L 1.5" NHT	1
28	44301000	LABEL-PATTERN STREAM	1
29	10339001	ADAPTER-FINE THD X B/G	1
30	63674000	SET SCREW .375" X .187" LG SULPHUR PLASTIC	1
31	15018000	BALLS - .187 DIA. S/S	52
32	33083000	RUBBER DISKET (NHT) 3.18" OD X 2.562" ID X .187" THK	1
33	63069001	SWIVEL-OVER 3-R/L (2.5" NHT)	1

USE ONE

NOZZLE SUB-ASS'Y #80582201

SECURE WITH LOC-TITE #262 (RED) ADHESIVE/SEALANT

USE #10 TORX BIT

THIS NOZZLE COMPLIES WITH ANSI/NFPA 1964

NO.	PART NO.	PART NAME	REQ.
1	58875000	TEETH RING (SPINNING)	1
2	64070000	SOCKET HEAD CAP SCREW #4-40 X 1.000 LG SST	3
3	57631001	RETAINER RING (TEETH)	1
4	57477000	O-RING 2.364 ID X .070 W	1
5	33659000	GRIP-HAND (ORANGE)	1
6	17475001	CENTER BARREL	1
7	57430000	O-RING 1.739 ID X .070 W	2
8	57383000	O-RING 2.300 ID X .103 W	1
9	57689000	RETAINING RING #190-181	1
10	61786000	COIL SPRING	1
11	65129000	SCREW-MACH S/S #4-48 X.187-LG TORX	2
12	71117001	REINFORCING WASHER	1
13	57375000	O-RING 2.609 ID X .139 W	1
14	63404001	STEM BASE (WEB)	1
15	17129001	NOZZLE BODY (QUAD THD)	1
16	57387000	O-RING 2.175 ID X .103 W	1
17	66361001	NOZZLE TIP (QUAD THD)	1
19	17146001	BODY-NOZZLE TIP	1
20	63597001	SPACER	1
21	61672004	INDICATOR SLEEVE	1
22	44315000	LABEL-IDENTIFICATION (4000-24)	1
23	10332001	ADAPTER-1.5 B/G	1
24	15018000	BALLS-0.187 DIA. S/S	32
25	63674000	SET SCREW .375" X .187" LG SULPHUR PLASTIC	1
26	33074000	RUBBER DISKET (NHT) 2.062" OD X 1.562" ID X .187" THK	1
27	63068001	SWIVEL-3-R/L 1.5" NHT	1
28	44301000	LABEL-PATTERN STREAM	1
29	10339001	ADAPTER-FINE THD X B/G	1
30	63674000	SET SCREW .375" X .187" LG SULPHUR PLASTIC	1
31	15018000	BALLS - .187 DIA. S/S	52
32	33083000	RUBBER DISKET (NHT) 3.18" OD X 2.562" ID X .187" THK	1
33	63069001	SWIVEL-OVER 3-R/L (2.5" NHT)	1

USE ONE

NOZZLE SUB-ASS'Y #80582201

SECURE WITH LOC-TITE #262 (RED) ADHESIVE/SEALANT

USE #10 TORX BIT

THIS NOZZLE COMPLIES WITH ANSI/NFPA 1964

NO.	PART NO.	PART NAME	REQ.
1	58875000	TEETH RING (SPINNING)	1
2	64070000	SOCKET HEAD CAP SCREW #4-40 X 1.000 LG SST	3
3	57631001	RETAINER RING (TEETH)	1
4	57477000	O-RING 2.364 ID X .070 W	1
5	33659000	GRIP-HAND (ORANGE)	1
6	17475001	CENTER BARREL	1
7	57430000	O-RING 1.739 ID X .070 W	2
8	57383000	O-RING 2.300 ID X .103 W	1
9	57689000	RETAINING RING #190-181	1
10	61786000	COIL SPRING	1
11	65129000	SCREW-MACH S/S #4-48 X.187-LG TORX	2
12	71117001	REINFORCING WASHER	1
13	57375000	O-RING 2.609 ID X .139 W	1
14	63404001	STEM BASE (WEB)	1
15	17129001	NOZZLE BODY (QUAD THD)	1
16	57387000	O-RING 2.175 ID X .103 W	1
17	66361001	NOZZLE TIP (QUAD THD)	1
19	17146001	BODY-NOZZLE TIP	1
20	63597001	SPACER	1
21	61672004	INDICATOR SLEEVE	1
22	44315000	LABEL-IDENTIFICATION (4000-24)	1
23	10332001	ADAPTER-1.5 B/G	1
24	15018000	BALLS-0.187 DIA. S/S	32
25	63674000	SET SCREW .375" X .187" LG SULPHUR PLASTIC	1
26	33074000	RUBBER DISKET (NHT) 2.062" OD X 1.562" ID X .187" THK	1
27	63068001	SWIVEL-3-R/L 1.5" NHT	1
28	44301000	LABEL-PATTERN STREAM	1
29	10339001	ADAPTER-FINE THD X B/G	1
30	63674000	SET SCREW .375" X .187" LG SULPHUR PLASTIC	1
31	15018000	BALLS - .187 DIA. S/S	52
32	33083000	RUBBER DISKET (NHT) 3.18" OD X 2.562" ID X .187" THK	1
33	63069001	SWIVEL-OVER 3-R/L (2.5" NHT)	1

USE ONE

NOZZLE SUB-ASS'Y #80582201

SECURE WITH LOC-TITE #262 (RED) ADHESIVE/SEALANT

USE #10 TORX BIT

THIS NOZZLE COMPLIES WITH ANSI/NFPA 1964

NO.	PART NO.	PART NAME	REQ.
1	58875000	TEETH RING (SPINNING)	1
2	64070000	SOCKET HEAD CAP SCREW #4-40 X 1.000 LG SST	3
3	57631001	RETAINER RING (TEETH)	1
4	57477000	O-RING 2.364 ID X .070 W	1
5	33659000	GRIP-HAND (ORANGE)	1
6	17475001	CENTER BARREL	1
7	57430000	O-RING 1.739 ID X .070 W	2
8	57383000	O-RING 2.300 ID X .103 W	1
9	57689000	RETAINING RING #190-181	1
10	61786000	COIL SPRING	1
11	65129000	SCREW-MACH S/S #4-48 X.187-LG TORX	2
12	71117001	REINFORCING WASHER	1
13	57375000	O-RING 2.609 ID X .139 W	1
14	63404001	STEM BASE (WEB)	1
15	17129001	NOZZLE BODY (QUAD THD)	1
16	57387000	O-RING 2.175 ID X .103 W	1
17	66361001	NOZZLE TIP (QUAD THD)	1
19	17146001	BODY-NOZZLE TIP	1
20	63597001	SPACER	1
21	61672004	INDICATOR SLEEVE	1
22	44315000	LABEL-IDENTIFICATION (4000-24)	1
23	10332001	ADAPTER-1.5 B/G	1
24	15018000	BALLS-0.187 DIA. S/S	32
25	63674000	SET SCREW .375" X .187" LG SULPHUR PLASTIC	1
26	33074000	RUBBER DISKET (NHT) 2.062" OD X 1.562" ID X .187" THK	1
27	63068001	SWIVEL-3-R/L 1.5" NHT	1
28	44301000	LABEL-PATTERN STREAM	1
29	10339001	ADAPTER-FINE THD X B/G	1
30	63674000	SET SCREW .375" X .187" LG SULPHUR PLASTIC	1
31	15018000	BALLS - .187 DIA. S/S	52
32	33083000	RUBBER DISKET (NHT) 3.18" OD X 2.562" ID X .187" THK	1
33	63069001	SWIVEL-OVER 3-R/L (2.5" NHT)	1

USE ONE

NOZZLE SUB-ASS'Y #80582201

SECURE WITH LOC-TITE #262 (RED) ADHESIVE/SEALANT

USE #10 TORX BIT

THIS NOZZLE COMPLIES WITH ANSI/NFPA 1964

NO.	PART NO.	PART NAME	REQ.
1	58875000	TEETH RING (SPINNING)	1
2	64070000	SOCKET HEAD CAP SCREW #4-40 X 1.000 LG SST	3
3	57631001	RETAINER RING (TEETH)	1
4	57477000	O-RING 2.364 ID X .070 W	1
5	33659000	GRIP-HAND (ORANGE)	1
6	17475001	CENTER BARREL	1
7	57430000	O-RING 1.739 ID X .070 W	2
8	57383000	O-RING 2.300 ID X .103 W	1
9	57689000	RETAINING RING #190-181	1
10	61786000	COIL SPRING	1
11	65129000	SCREW-MACH S/S #4-48 X.187-LG TORX	2
12	71117001	REINFORCING WASHER	1
13	57375000	O-RING 2.609 ID X .139 W	1
14	63404001	STEM BASE (WEB)	1
15	17129001	NOZZLE BODY (QUAD THD)	1
16	57387000	O-RING 2.175 ID X .103 W	1
17	66361001	NOZZLE TIP (QUAD THD)	1
19	17146001	BODY-NOZZLE TIP	1
20			