



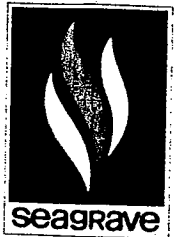
Since 1909

FWD CORPORATION

SEAGRAVE FIRE APPARATUS DIVISION

105 E 12TH STREET
CLINTONVILLE, WISCONSIN 54929-1590

PHONE: 715-823-2141



Since 1881

PRODUCT SUPPORT BULLETIN

SUBJECT: LEVER STYLE INTERIOR CAB DOOR LATCH HANDLES

No. 04-97 DATE August 25, 1997

NOTE: This bulletin must be retained in the vehicle parts and service manuals for future reference when ordering and/or installing interior door handles.

This service bulletin pertains to Seagrave cabs manufactured in the late eighties to early nineties that incorporated interior lever style door handles.

These Seagrave cabs were manufactured using a purchased door latch and lever handle assembly requiring a "pull-up" motion of the handle from a horizontal position to open the door. This original equipment handle of the latch assembly was designed by the latch manufacturer with an attachment plate which will rotate 180 degrees when it is not fastened to the latch. These units should be inspected and the handle repositioned if not in the proper operating mode, i.e. "pull-up". To reposition this handle, back out the two screws that hold the handle mounting plate to the door and rotate this plate 180 degrees and reinstall the plate to the latch.

This handle with the 5/16" black spacer used on both the right and left hand door latch assembly has been discontinued by the manufacturer and replaced with a handle having a thicker attachment plate that is limited to 90 degrees of rotation when not fastened to the latch. This new handle requires that a left hand handle be installed only on the left hand door latch and a right hand handle for the right hand door latch in order for the door to be opened with a pull up motion from a horizontal position. When ordering and/or replacing the original handle, the specific door side must be stated, and replacement inventory must be clearly marked for the correct door.

The left hand door is any door to the left of the driver when he is seated in the driver's position and the right hand door is any door to the right of the driver when he is seated in the driver's position. Order and install part number P1060300 on right hand doors only. Order and install part number P1060400 on left hand doors only.

FAX: 715-823-5768 Main Office

FAX: 715-823-5769 Parts, Purchasing, Service

Installation: The replacement handles must only be mounted in the pull-up position using only the fiber gasket and one half inch long screws furnished with the handle.

The "pull-up" to open directional mechanism is located in the handle mounting plate. Do not substitute any handle that will allow opening of the door in any motion other than "pulling up" on the handle.

For additional safety, the door lock should be engaged and the seat belts should be worn at all times when the apparatus is in motion.

The safety of your firefighters is our greatest concern and we encourage you to review your usage of the federal governments mandated door locks and seat belts while in a moving vehicle.

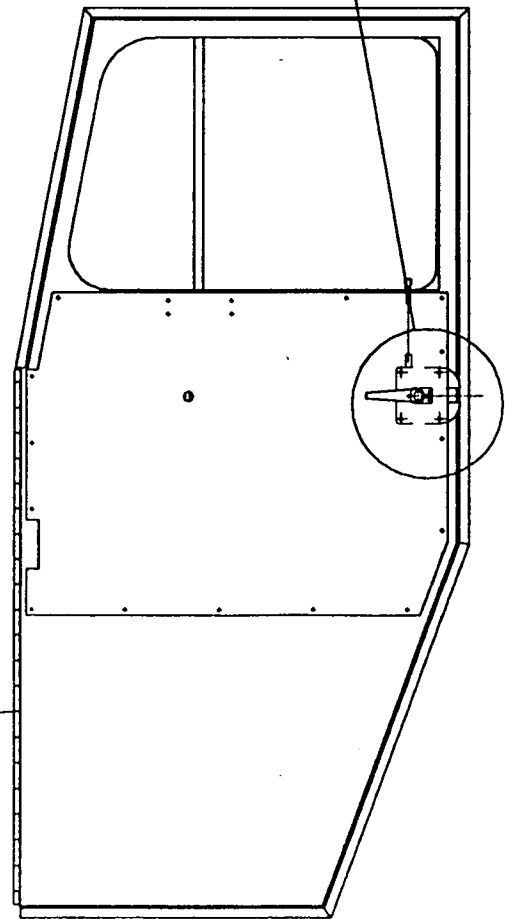
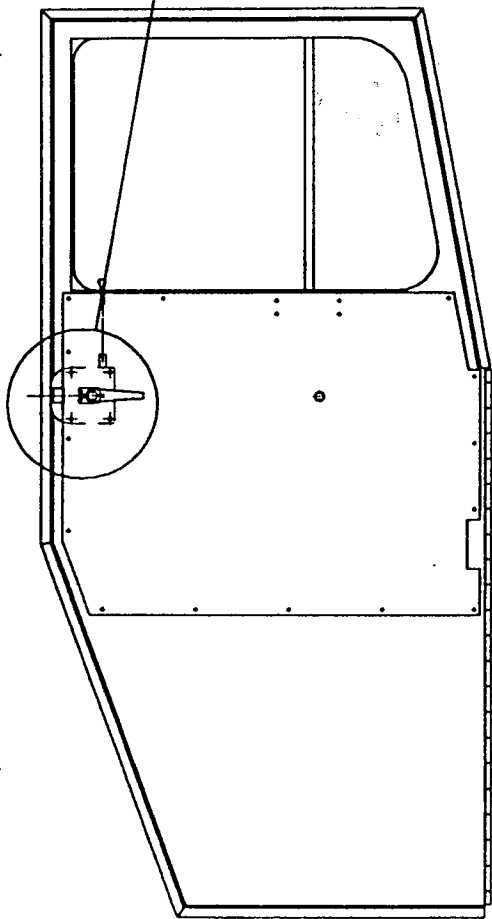
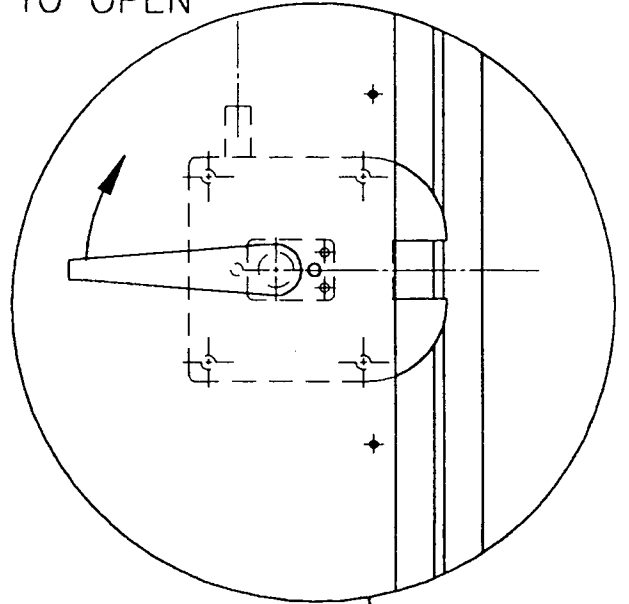
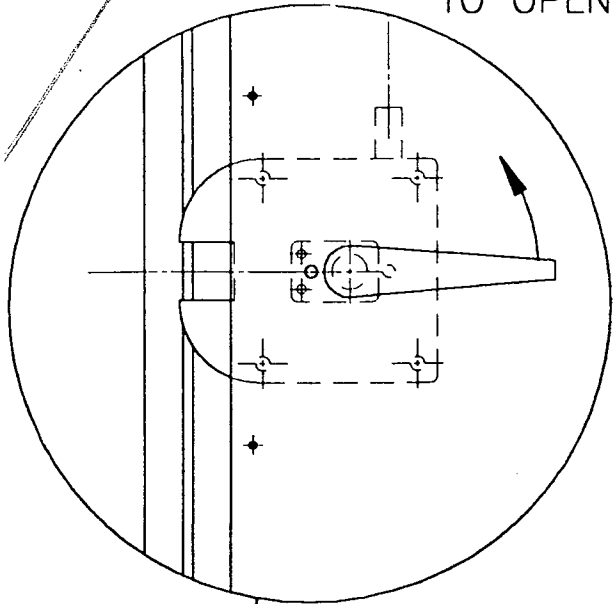
Should you have any questions in reference to this letter or require assistance, please contact:

Mr. Rollie Myers
Product Support Manager
Seagrave Fire Apparatus
105 E. 12th St.
Clintonville, WI 54929
Phone 715-823-2141
Fax 715-823-5769

enc: R.H. and L.H. handle illustrations
Handle operation illustration

PULL UP
TO OPEN

PULL UP
TO OPEN



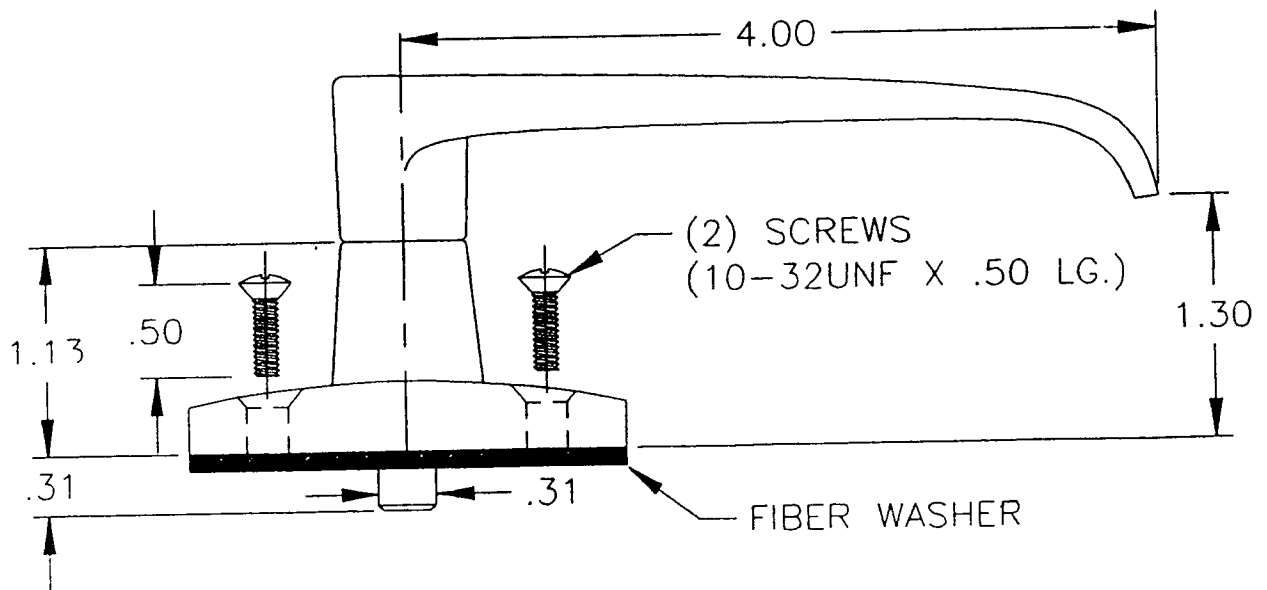
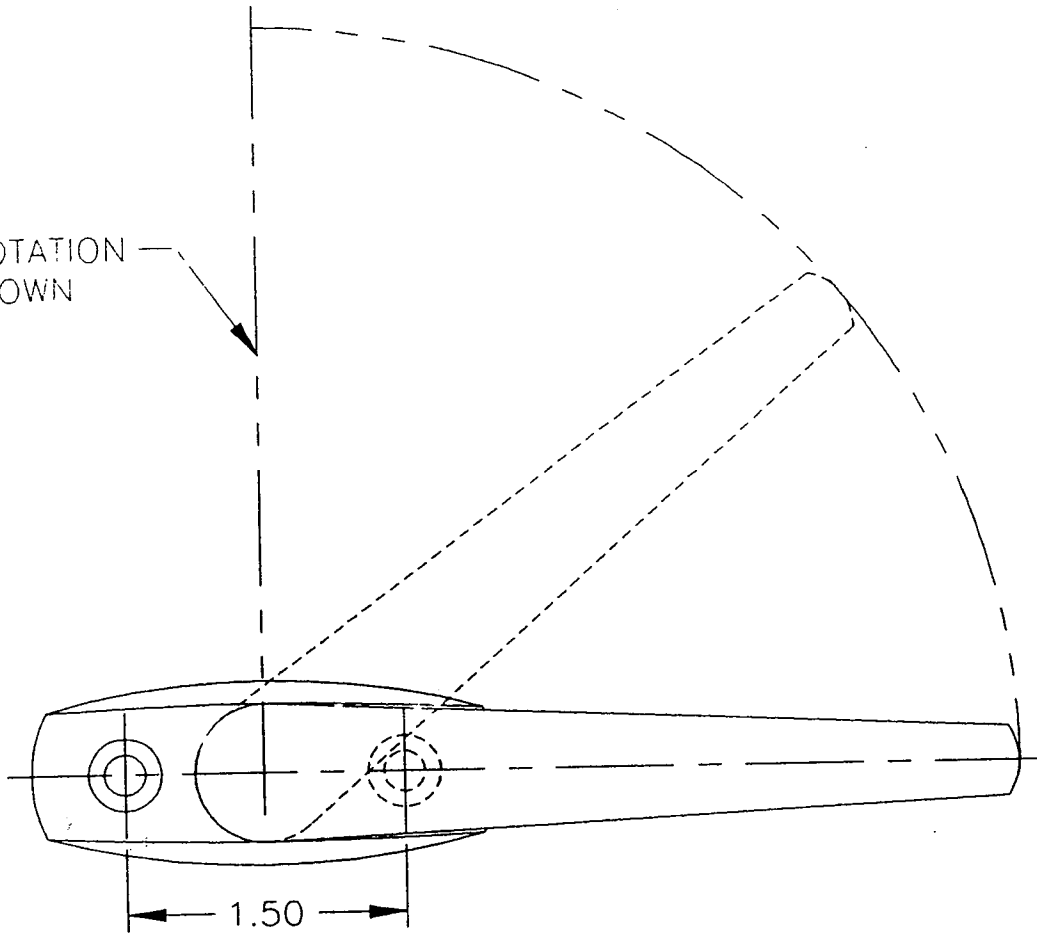
FRONT OF CAB

INTERIOR OF
LEFT HAND
DOOR SHOWN

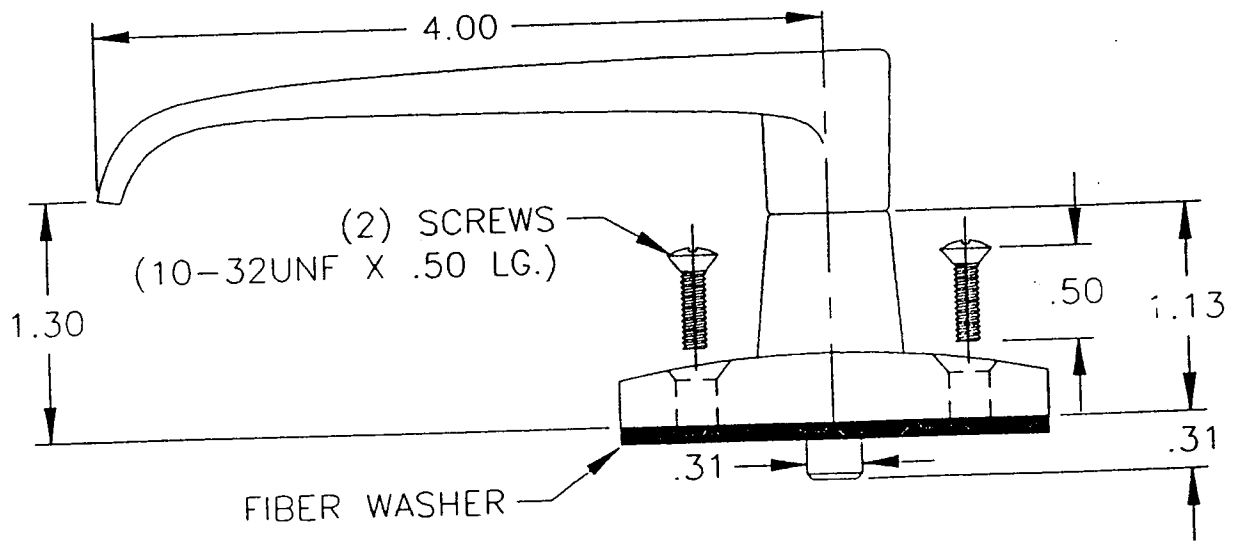
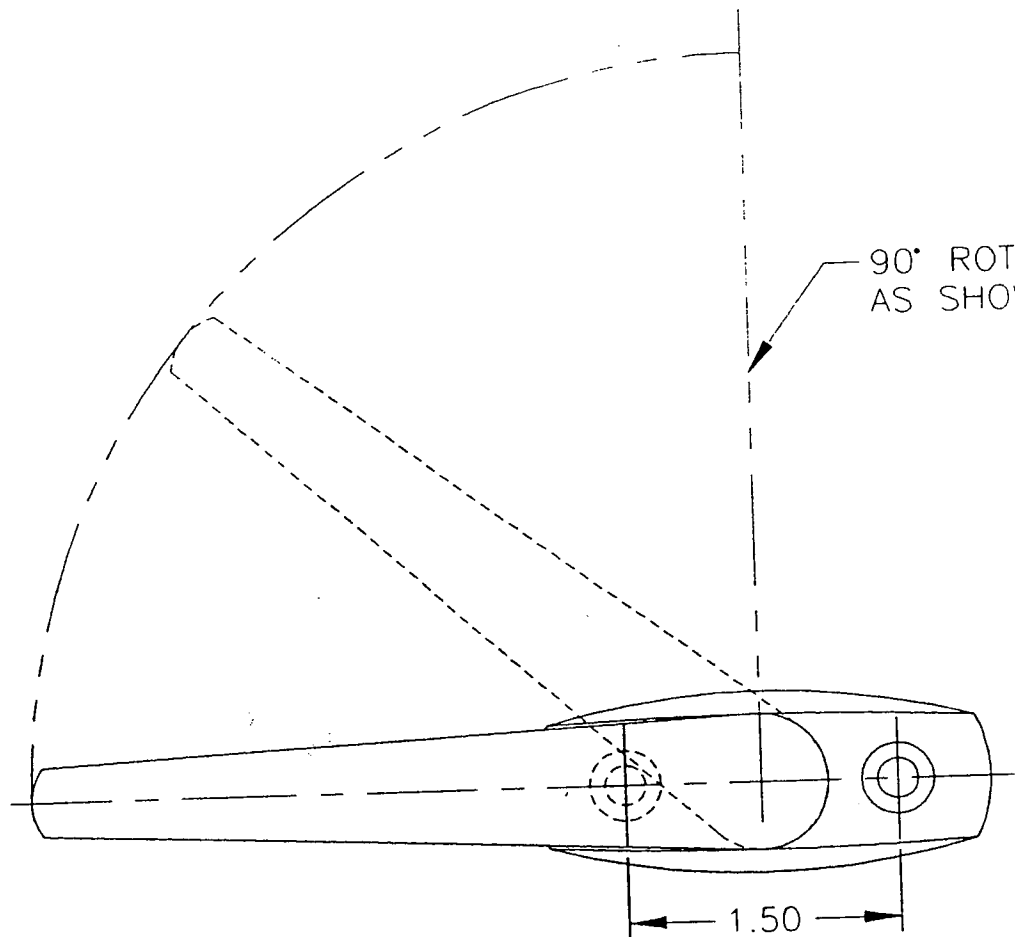
INTERIOR OF
RIGHT HAND
DOOR SHOWN

LEVER HANDLE DOOR OPERATION ILLUSTRATION

90° ROTATION
AS SHOWN



INTERIOR "L" HANDLE - L.H.
90° ROTATION
P1060400



INTERIOR "L" HANDLE - R.H.
90° ROTATION
P1060300